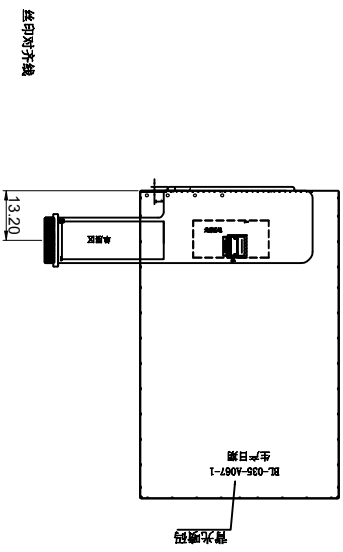
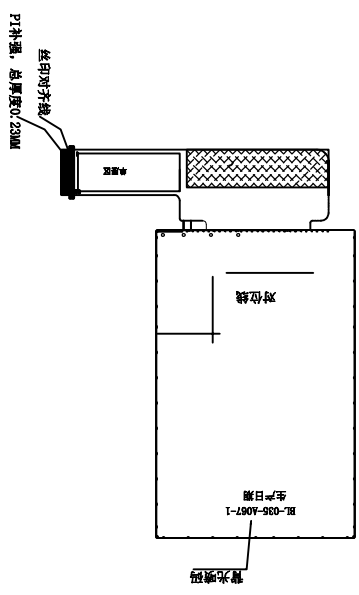
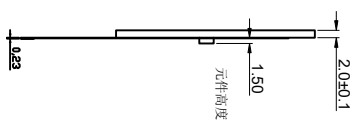
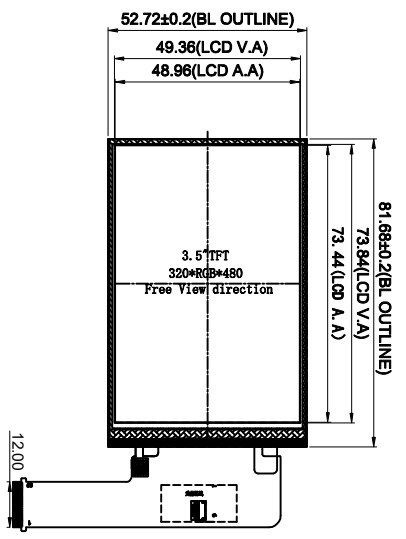


Count drawing's modified record with customer

**ROHS** 本表中的所有材料均要求符合欧盟环保指令





1	GND	31	NC
2	HP1-001	32	HP-001
3	HP1-002	33	HP-002
4	GND	34	HP-RES
5	HP1-003	35	HP-003
6	HP1-004	36	HP-004
7	GND	37	HP-SCL
8	NC	38	HP-SDA
9	IM0	39	HP-GND
10	RESF		
11	SD0		
12	SD1		
13	GND		
14	SCL		
15	GND		
16	D/C		
17	CS		
18	GND		
19	NC		
20	NC		
21	NC		
22	NC		
23	GND		
24	LED-B		
25	NC		
26	LED-K		
27	LED-K		
28	NC		
29	LED-A		
30	LED-A		

NOTES:  
1.LED电路图:  
LED CIRCUIT DIAGRAM

NOTES:  
1.DISPLAY MODE:3.5" TFT LCD, Transmissive  
2.DRIVER IC:ST7796U  
3.VIEWING DIRECTION:ALL OCLOCK  
4.BACKLIGHT:10 CHIP-WHITE LED,IF=40mA,VF=15-16.0V;  
BRIGHTNESS=300 cd/m2 (center)  
5.OPERATING TEMPERATURE:-20°C TO 70°C  
STORAGE TEMPERATURE:-30°C TO 80°C  
6.GENERAL TOLERANCE:±0.20

TOLERANCE	SCALE	N.T.S
X ±	UNITS	mm
XX ±	MATERIAL	
± 1°		


**深圳市弘盛智能显示科技有限公司**  
 HONSEN SHENZHEN HONSEN SMART DISPLAY TECHNOLOGY CO.,LTD  
 DRG DATE: **Wely**  
 APPROVED: **Jan**  
 MODEL: **HS035CS9173C-LCM**  
 TITLE: **P/N**  
 Page 1 OF 1  
 VER. 01