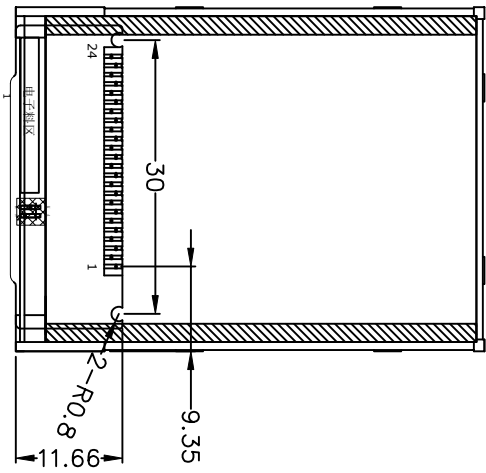
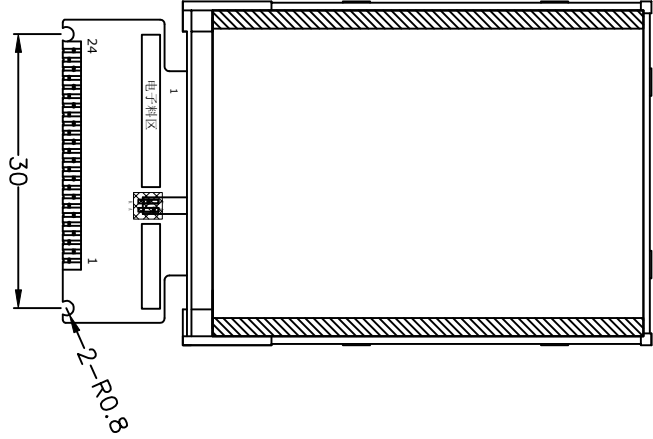
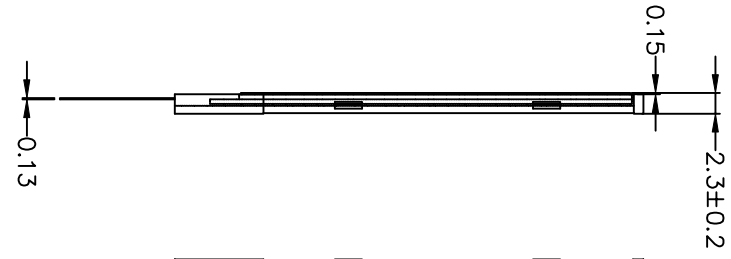
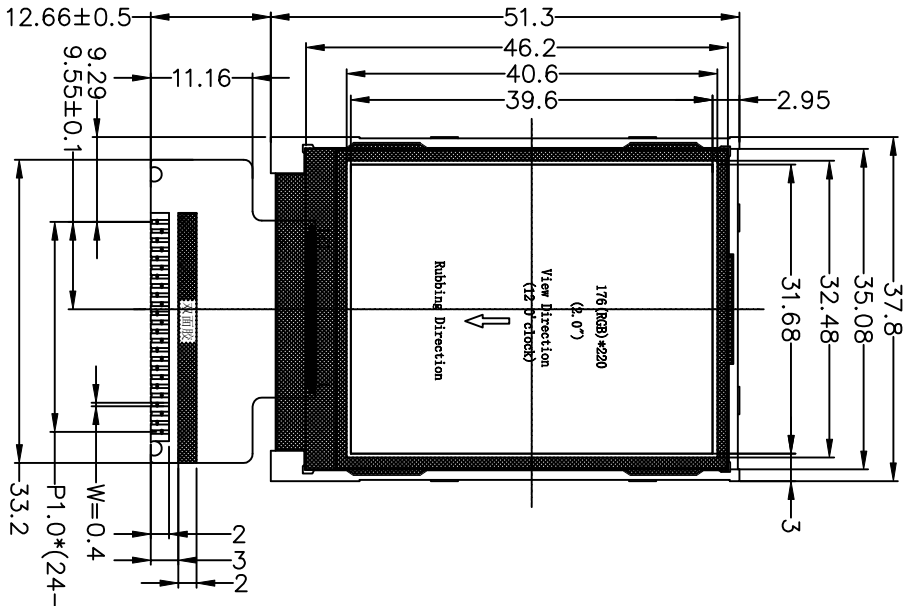


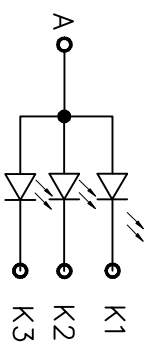
Rev.	Revision content description	Date
V 0	First issue	2020-09-01



PIN	SYMBOL
1	LED K
2	LED A
3	GND
4	VDD
5	I/OVCC
6	NC
7	CS
8	RESET
9	RS
10	WR
11	RD
12	DB07
13	DB06
14	DB05
15	DB04
16	DB03
17	DB02
18	DB01
19	DB00
20	GND
21	XL
22	YD
23	XR
24	YU

NOTES:

1. DISPLAY MODE: 2.0" TFT LCD, Transmissive
2. DRIVER IC: ILI9225G
3. VIEWING DIRECTION: ALL
4. BACKLIGHT: 3 CHIP-WHITE LED, IF=60mA, VF=3.2V  
BRIGHTNESS=200 CD/M<sup>2</sup>.
5. OPERATING TEMPERATURE: -20°C TO 70°C  
STORAGE TEMPERATURE: -30°C TO 80°C
6. GENERAL TOLERANCE: ±0.20



LED CIRCUIT DIAGRAM

CUSTOMER APPROVE			
深圳市弘盛智能科技有限公司 SHENZHEN HONSEAN SMART DISPLAY TECHNOLOGY CO.,LTD			
LCD MODULE	PRODUCT NO.	FILE NAME	REV
TOLERANCE: DECIMAL: X.X ± .30 X.XX ± .20 ANG ± 1/4°	HS020C124T01N	LCM	V 0
DESIGNED: Z.M.Y	CHECKED:	APPROVED:	SHEET: 1/1
VERIFIED:	NOT IN SCALE	UNIT:mm	